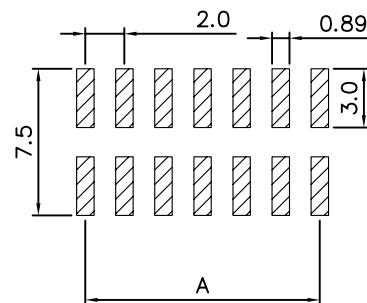
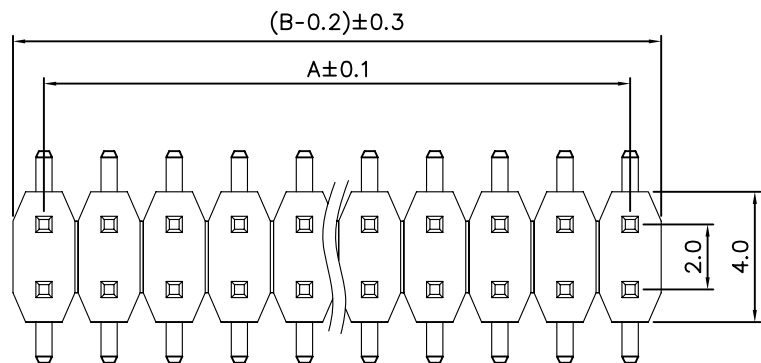


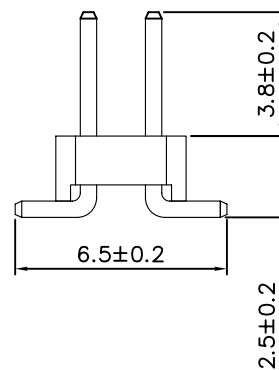
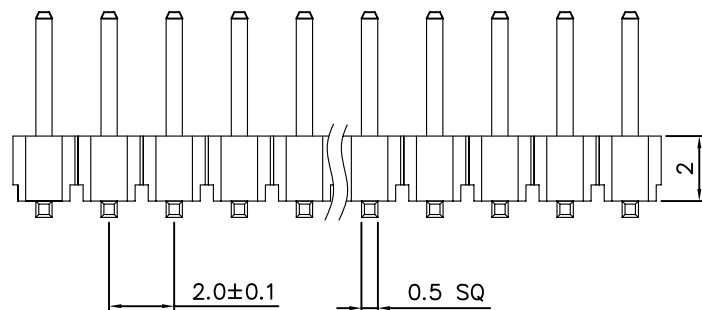
正式图 参考图 设变图



REV.	ECN NO.	DESCRIPTION	DATE	DESIGN
AO	---	INITIAL RELEASED	2021.04.13	HAN MIN



RECOMMENDED PCB Layout  
 DEFAULT TOLERANCES:±0.05(TOP VIEW)



**SPECIFICATIONS**  
 Current Rating: 1.5 Amps  
 Withstanding Voltage: AC 500V  
 Insulation Resistance:1000MΩ Min  
 Contact Resistance: 20mΩ Max  
 Operation Temperature:-40°to+105°  
 Insrlator Material: Polyester(UL94V-0)  
 Contact Material: Phosphor bronze  
 Standard: PA6T  
 Contact Plating: Gold Flash  
 Max.Processing Temp: 240°C for30-60seconds  
 (260°C for5seconds)

Ordering information:  
 PZ20040-XXP-DDXX-XXXXX  
 (1) (2) (3) (4)(5)(6)

- (1) Pin Spacing:20=2.00mm
- (2) NO OF PIN :01P~40P;
- (3) Contact Plating:  
A6=Gold Flash;
- (4) Material of housing:  
6T=PA6T UL94V-0
- (5) Housing Colour:  
BK=Black
- (6) Packing mode:  
1=Bagged;

No. of	DIM. A	DIM. B	No. of	DIM. A	DIM. B	No. of	DIM. A	DIM. B	No. of	DIM. A	DIM. B
1	0.00	2.00	11	20.00	22.00	21	40.00	42.00	31	60.00	62.00
2	2.00	4.00	12	22.00	24.00	22	42.00	44.00	32	62.00	64.00
3	4.00	6.00	13	24.00	26.00	23	44.00	46.00	33	64.00	66.00
4	6.00	8.00	14	26.00	28.00	24	46.00	48.00	34	66.00	68.00
5	8.00	10.00	15	28.00	30.00	25	48.00	50.00	35	68.00	70.00
6	10.00	12.00	16	30.00	32.00	26	50.00	52.00	36	70.00	72.00
7	12.00	14.00	17	32.00	34.00	27	52.00	54.00	37	72.00	74.00
8	14.00	16.00	18	34.00	36.00	28	54.00	56.00	38	74.00	76.00
9	16.00	18.00	19	36.00	38.00	29	56.00	58.00	39	76.00	78.00
10	18.00	20.00	20	38.00	40.00	30	58.00	60.00	40	78.00	80.00

TOLERANCE	NAME(INTENDED USE) CUSTOMER DRAWING	ZHAOBO 浙江朝博电子有限公司 Zhejiang Zhaobo Electronic Co.,Ltd		
X.X ±0.30 X.* ±10°	PART NO.	TITLE: PZ2.0 2xnPin H2.0 180° SMT L8.0		
.XX ±0.20 .X.* ± 8°	See Ordering information	DRAWG NO. 03PZ-0008		
.XXX ±0.10 .XX* ± 5°	DESIGN: HAN MIN	1:1 1/1		
UNITS mm	MATERILA ----	CHED: ZHU DE YIN		
FINISH -----	APPD: NI HAI QING	REV. AO		